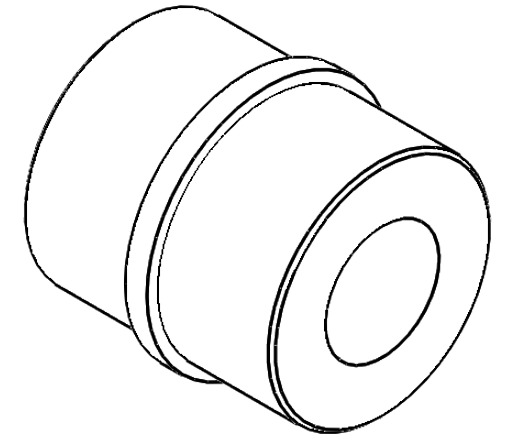


可选用厚壁圆管加工



型号	A	B	C	D
3"	68	72	6	70
4"	90	96	8	90
5"	112	120	10	100
6"	138	145	12	110

材质: 20

技术要求: 1.修磨去刺, 轴两端锐角倒钝;  
2."A"值未注公差 $\pm 0.05$



DRAWN BY:	2019/5/30	20	A4	FINISH
DATE:	MATERIAL:	SIZE:	FINISH:	
APPROVED BY:	1:1	1.24		
SCALE:	weight:			

DATE:	
二期芯棒钢制连接件 ( 3-6英寸 )	
JG-II-XB-03	
figure number :	