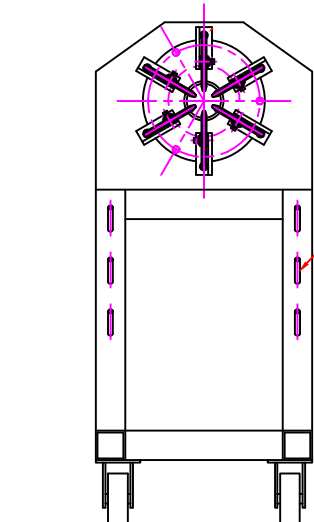
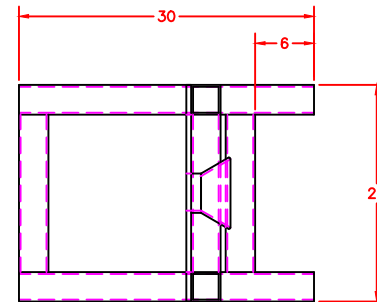
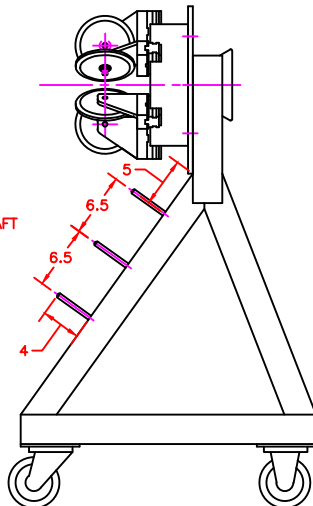


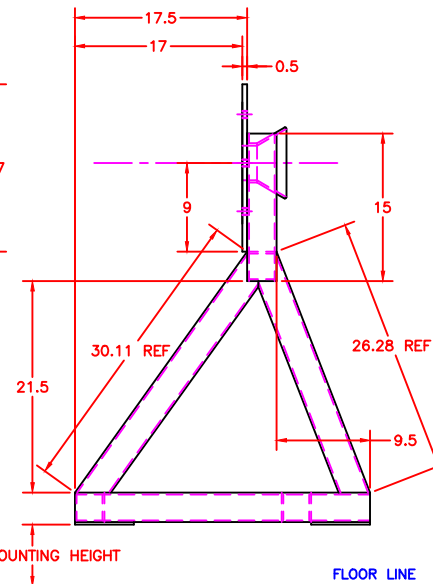
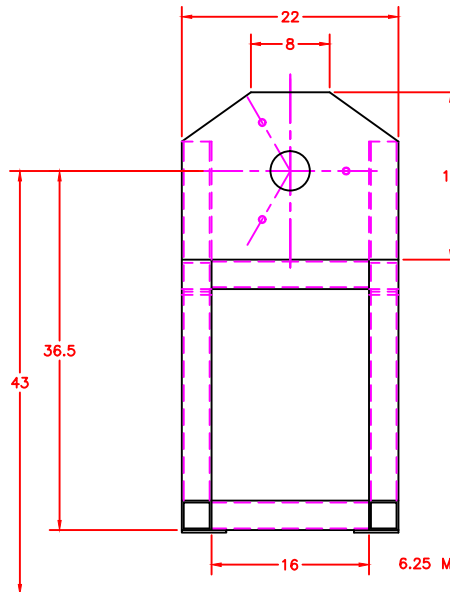
MATERIAL:  
 3 X 3 X 3/16 SQUARE TUBING  
 1/2 THICK PLATE  
 PAINT MACHINE GREY



1/2" Ø SHAFT



SWIVEL



**GOODYEAR**

THE SUBJECT MATTER OF THIS DRAWING IS THE PROPERTY OF THE GOODYEAR TIRE & RUBBER COMPANY NORFOLK, NE AND IS TO BE USED ONLY AS AUTHORIZED BY IT IN WRITING. ALL DRAWINGS AND COPIES WILL BE RETURNED ON REQUEST

DRAWN BY: JLL	DATE: 10/05/99	NOTED	SIZE-B	FINISH
APPROVED BY: JLL	SCALE: NONE	TITLE: AREA-C COVER EXTRUDER PORTABLE PRICKER		

DATE: 10/08/99	REVISIONS ESTABLISHED DRAWING	IT JUL
DATE: 01/16/06	REVISIONS PER ASBUILT	JUL

DO NOT SCALE DRAWING ALL DIMENSIONS ARE IN INCHES  
 TOLERANCE ON FINISHED SURFACES UNLESS OTHERWISE SHOWN  
 2 PLACE .01 3 PLACE .005  
 REMOVE BURRS AND BREAK EDGES 0.003 TO 0.015

DRAWING NUMBER  
 150001012B